

NAPB #54
APRIL, 1975



**Perkins
engines**



4.108

MARINE



**WITH
NORTH AMERICAN
ACCESSORIES**

PRINTED U.S.A.

- INTRODUCTION -

The quantity shown in the quantity column is the number of parts used on the engine, except where parts are offset in the description column; in this case, the quantity is the number required for the preceding assembly or sub-assembly. For certain parts, such as kits, washers, etc., an "X" will be shown in the quantity column. This "X" indicates that the quantity is "as required".

INFORMATION REQUIRED

Whenever parts are ordered, it is essential that full information is given to ensure correct identification. Descriptions and part numbers should always be stated, and in the case of parts required for an individual engine, the engine type or serial number should be supplied. For example:

"Please supply for the 4.108 Marine Engine, (1) of 84418 Crankshaft Kit."

Such an order supplies all the information needed to enable your requirements to be identified accurately and your order will receive prompt attention.

SCREW THREADS

All screw threads on this engine, except on certain items of proprietary equipment, are unified series and American pipe series.

The items described in this book are correct at the time of publication. As developments are made, we reserve the right to alter or withdraw items at any time and you would be advised of the changes. This information should be entered in the appropriate pages as soon as it is received to keep your book up-to-date with the latest information.

- SECTIONAL INDEX -

PAGES

CYLINDER BLOCK

Liners, plugs, tappet inspection cover, cylinder head gasket, timing gear cover plate, water inlet connection, tachometer drive, drain cock, front mounting brackets, rear oil seal housing 1-2

CYLINDER HEAD

Plugs, guides, inlet and exhaust valves, seals, springs, caps, cotters, inserts, exhaust manifold & outlet flange, front lifting plate 3

CRANKSHAFT

Main and connecting rod bearing sets, thrustwashers, crankshaft gear & pulley, oil thrower flange, connecting rod, piston, ring pack 4

CYLINDER HEAD COVER

Seal, lube oil filler cap, rocker shaft, springs, brackets, levers, oil feed pipe, push rods, tappets 5

AIR INDUCTION SYSTEM

Induction manifold, air filter, ether starting adaptor 6

TIMING GEAR

Camshaft & gear, idler gear & hub, retaining plate, timing gear housing, engine timing pin 7

LUBE OIL SYSTEM

Lube oil pan, lube oil pump, suction pipe, strainer, delivery pipe, lube oil dipstick and tube 8

LUBE OIL FILTER

Bracket, adaptor, reducer, connections 9

OIL COOLER

Hoses, pipe, mounting bracket, elbows, strap, connections ... 10

SEA WATER PUMP

Connections, drive shaft, hoses, pipe 11

FRESH WATER PUMP

Body, shaft, seals, impeller, pulley, backplate, repair kit .. 12

FUEL OIL LIFT PUMP

Rocker arm, body, cover & valve, diaphragm & pull rod, push rod, non-return valve, repair kit 13

FUEL OIL FILTER

Delivery and return pipes, connections, pre-filter 14

FUEL INJECTION SYSTEM

Fuel injection pump, drive gear & hub, bracket, injection pipes, injector, leak-off pipe 15

- SECTIONAL INDEX -

	<u>PAGES</u>
<u>HEADER TANK</u>	
Tank, cover plate, thermostat, reducer, hoses, connections, pipe	16
<u>HEAT EXCHANGER</u>	
Mounting bracket, pads, hose, pipe	17
<u>ELECTRICAL EQUIPMENT</u>	
Alternator c/w regulator, cooling fan, pulley, bracket, belt, lever	18
<u>FLYWHEEL AND HOUSING</u>	
Housing, adaptor plate, pilot bearing bushing, flywheel and starter ring, starter motor	19
<u>GEAR BOXES</u>	
Adaptor plate, damper drive plate, connections, pipes	20
<u>ACCESSORIES</u>	
Engine flex mounts, throttle control kit, instrument panel, wiring harness, pressure transmitter, temperature transmitter, mounting brackets	21
<u>GASKET SETS</u>	
Top and bottom overhaul gasket sets	22

- NUMERICAL INDEX -

<u>PART NO.</u>	<u>PAGE</u>	<u>PART NO.</u>	<u>PAGE</u>	<u>PART NO.</u>	<u>PAGE</u>
323511	0180066	...10,16,17	05763025
3251713	01800706	06100118
3343515	018007317	061004215
3730615	018063715	061080913
549265	018090213	061083715
552865	020000810	06108447
585295	020004416	061084713
834174	020008617	06232938
844184	020009211	06401163,22
849534	020075814	06502033
849924	02012971	065020414
84992-A4	02013185	06505075
84992-B4	020139714	06505403
84992-C4	02300013	06505938
850174	02405686	06505941,6,9
850374	03500141	06506921,3
85037-A4	035001819	06507101,3
85037-B4	035002019	06507133
85037-C4	041027719	06507171
8578622	049055913	06507228
8902912	049062713	06507771
891883	04906526,22	070027913
909902	04906563,22	072070913
9245422	049068515,22	07207905
936511	049069513	072626120
004005812	04907245,22	072626415
00501325	04907401,22	07264031
005032315	04907758,22	07300987
00503581	049078614	07301165,22
00953144	05000064	07451631
009531515	052042013	074518019
009534414	05602448	07460527
00962316	05660025	07462018
00962336	056600313,14	07462538
009623412	05660041	07462541,2,18
00962366,8,12	05660078	07462557,8
00962382	057113814	07462592
00962406	057135015	07462608
00964313	05713515	074635515
009644118	05713528	074642419
009644516	057000320	074645114
00966349	057141517	07464529
01022025	05760017	074645414,19
01501293	0576002	...1,2,7,11, 12,15,18.	07464617
01501433			074835316
01501448	0576051	...16,18,20	074841110,16
01700335	0576054	...9,10,20	074841317
017004612	05760643	074841518
017005112	05760653	074852221
01700521	05761025	074852419,20
01800288	057611214	074852719,20
01800636	05761131	074861121
018006511	05761515	074861220

- NUMERICAL INDEX -

<u>PART NO.</u>	<u>PAGE</u>	<u>PART NO.</u>	<u>PAGE</u>	<u>PART NO.</u>	<u>PAGE</u>
07701011	09212493	314341525
078024013	09410447	314343065
078024113	099652515	3171810415
07802615	09970186	3171810515
07803108	099712813	3173412919
08252195	09996598,22	317421288
08262017	217269215	317441293
082620912	21844639	317451183
082623215	222210420	3175311415
082624415	222225520	317883878
08262487	241114113	321144619
08262491	24111573	321144811
08262505	241521712	321623164
08262603	241720412	324171141
082626811	24311021	3246131311
082627415	24311033	325241481
08264773	24311053	327127158
082651216	248568816	3271731612
082661410	24878455	327265117
082781320	248789516	328111041
082801220	248794716	3311441213
09100613	251323619	331151214
09100643	264170213	331154081
0920003	3,5,7,10,15	264495115	331154113
0920004	.3,14,16,18	264555915	331241194
09200069	26544039	3314211512
092005120	265608414	3315411811
09200527,16,20	265661314	3315710812
0920053	..1,2,6,7,8, 10,11,12,15, 16,17,18,19.	265820113	3322111513
0920054	..3,9,14,16, 18,19,20,21	27211244	332213173
0920055	.9,10,20,21	272443615	3322541214
092011214	287195418	332424091
092011315,22	248700015	332617233
092014614	2641000613	332617413
092046818	2641000813	3328610911
09204846	2641001613	3341511712
09204855	2641002113	3341512712
09204976,18	2641005813	334265167
092101813	2641009513	3347249615
092105813	2641009613	334731071
09211165	2641009713	334740034
09211173	2641012113	335311173
09211184	2656001414	335321218
0921118A4	2656001714	3353212814
09211204	311341377	335331038
0921120A4	311341454	3353311213,14
09211225	3114582112	335364456
09211597	311476374	3381111214
092117615	311712454	3381111314
092123513	311715417	338121088
		3117154215	3381331312
		313581171	3382541111,22
		314153037	344141225

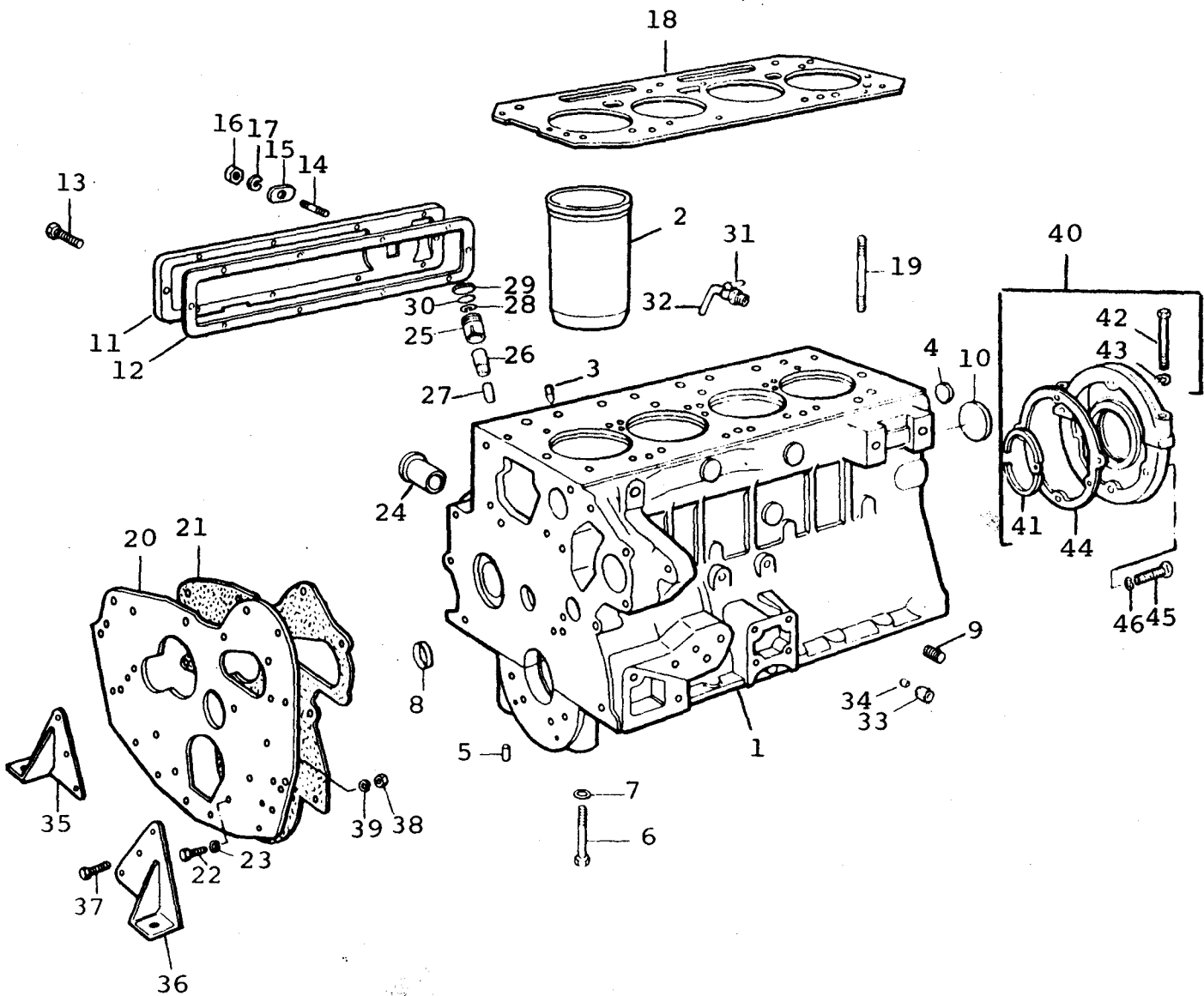
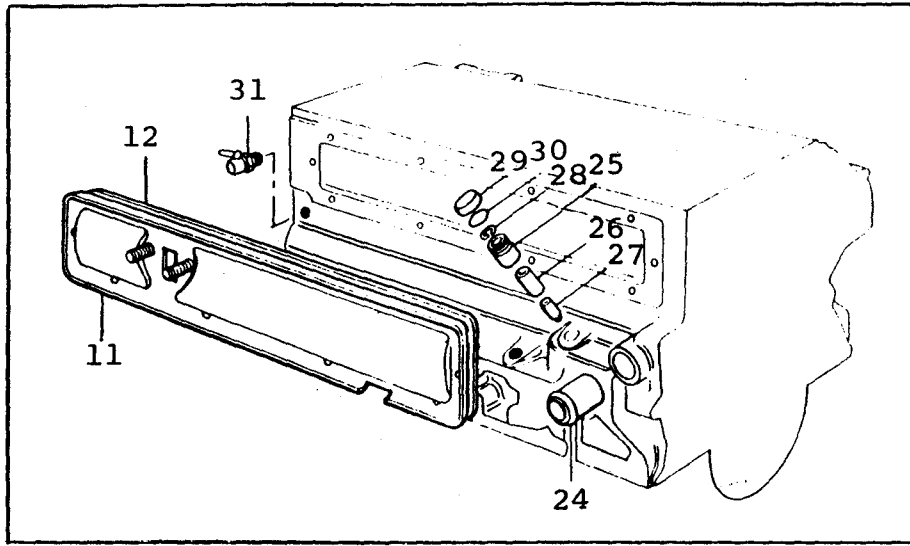
- NUMERICAL INDEX -

<u>PART NO.</u>	<u>PAGE</u>	<u>PART NO.</u>	<u>PAGE</u>	<u>PART NO.</u>	<u>PAGE</u>
3441741414	374435913	NA00071121
3482111210	3744469319	NA00107311
348214286	3744727112	NA00107416
3535426315	375545911	NA00107617
3535426415	375860713	NA00107717
3535426515	375862419	NA00107817
3535526815	3771175112	NA00108017
3558735515	377254488	NA00108117
357371988	377641819	NA0010829
357724158	377852113	NA0010839
3584405714	377866626	NA00108510
3584710814	377866646	NA00108610
3584730814	381242422	NA00108710
361515051,7	381242432	NA00108810
361515067	3815210715	NA00109010
361515078	3816212318	NA00109110
361785097	4111274419	NA00117021
3624351512	411150367	NA00117121
362555383	4131244912	NA00117221
362567331	413140898	NA00117321
362714089			NA00119820
3654842318	NA00000220	NA00119920
3665111914	NA00000720	NA00120020
3665310620	NA00003616	NA00120120
368121341,22	NA0000409	NA00120220
368131457,22	NA00004116	NA00130121
368153198	NA00004310,20	NA00133016
368153218	NA00004920	NA00137011
3682150322	NA00005520	NA00140617
368261142,22	NA00005620	NA00148910
3682612119	NA00006620	NA00154816
3683411816,22	NA00006820	NA00190418
3684111322	NA00007020	NA00333511
368464121,22	NA00007220	NA00337019
368464156,22	NA00007720	NA00346521
3685111313,22	NA00008020	NA0034859
368551083,22	NA00018718		
3685710719	NA00020421	NA90000911
3686144616	NA00020821	NA90001011
3686171522	NA00020921	NA90001111
3686173722	NA00025716	NA90001511
3686216722	NA00025816	NA90001611
368625179	NA00028210	NA90001711
3686642112,22	NA00034921	NA90004621
3686671312,22	NA00046718	NA90004721
3686711519	NA00047421	NA90004821
368831072	NA00047521	NA90004921
3713490119	NA00052621	NA90005021
3714702119	NA00054116	NA90005121
3714710120	NA00054216	NA90005221
371611057	NA00060321		
371735918	NA00061720		
371881715	NA00062319		

- CYLINDER BLOCK -

<u>NOTE</u>	<u>REF. NO.</u>	<u>PART NO.</u>	<u>DESCRIPTION</u>	<u>QTY.</u>
	1	93651	CYLINDER BLOCK (ASSEMBLY)	1
			Includes:	
	2	31358117	LINER, cylinder block	4
	-	0650710	PLUG, block - front & rear face ..	2
	3	0650710	PLUG, block - water jacket	3
	4	0650692	PLUG, block - water jacket	1
	5	0350014	DOWEL, main brg. cap to block ...	6
	6	0745163	SETSCREW, main brg. cap to block .	6
	7	33115408	WASHER, shim - main brg. cap setscrew	6
	-	2431102	PLUG, block - alt. draincock position	1
	-	0726403	PLUG, block - alt. dipstick position.	1
	8	0650717	PLUG, block - pressure rail - front and rear	2
	9	0650594	PLUG, block - pressure switch boss ..	2
	-	32114481	PLUG, block - L.H.S. bearer facing ..	2
	10	0650777	PLUG, block - camshaft chamber - rear end	1
	11	37554591	COVER, tappet inspection	1
	12	36846412	GASKET, cover to cylinder block	1
	13	0746254	SETSCREW, cover to block - front and rear holes	2
	14	0826249	STUD, cyl. block to t/insp. cover ..	8
	15	36151505	WASHER, elongated	10
	16	0576002	NUT, tappet insp. cover retaining ..	8
	17	0920053	WASHER, spring	10
	18	36812134	GASKET, cylinder head	1
	19	32524148	STUD, cyl. block to cylinder head ..	18
	20	36256733	PLATE, timing gear cover	1
	21	0490740	GASKET, cyl. block to cover plate ..	1
	22	0746254	SETSCREW, cover plate to cyl. block .	4
	23	0920053	WASHER, spring	4
	24	0201297	CONNECTION, water inlet - cyl. block.	1
	25	0770101	SLEEVE, tachometer drive	1
	26	0050358	BEARING, tachometer drive	1
	27	33473107	SHAFT, tachometer drive	1
	28	0170052	SNAP RING, shaft retaining	1
	29	32417114	CAP NUT, tachometer drive blanking ..	1
	30	32811104	WASHER, plain	1
	31	32351	DRAIN COCK, water - cyl. block	1
	32	33242409	PIPE, cyl. block drain cock	1
	33	0576113	NUT, drain cock pipe	1
	34	0566004	FERRULE, drain cock pipe	1

- CYLINDER BLOCK -

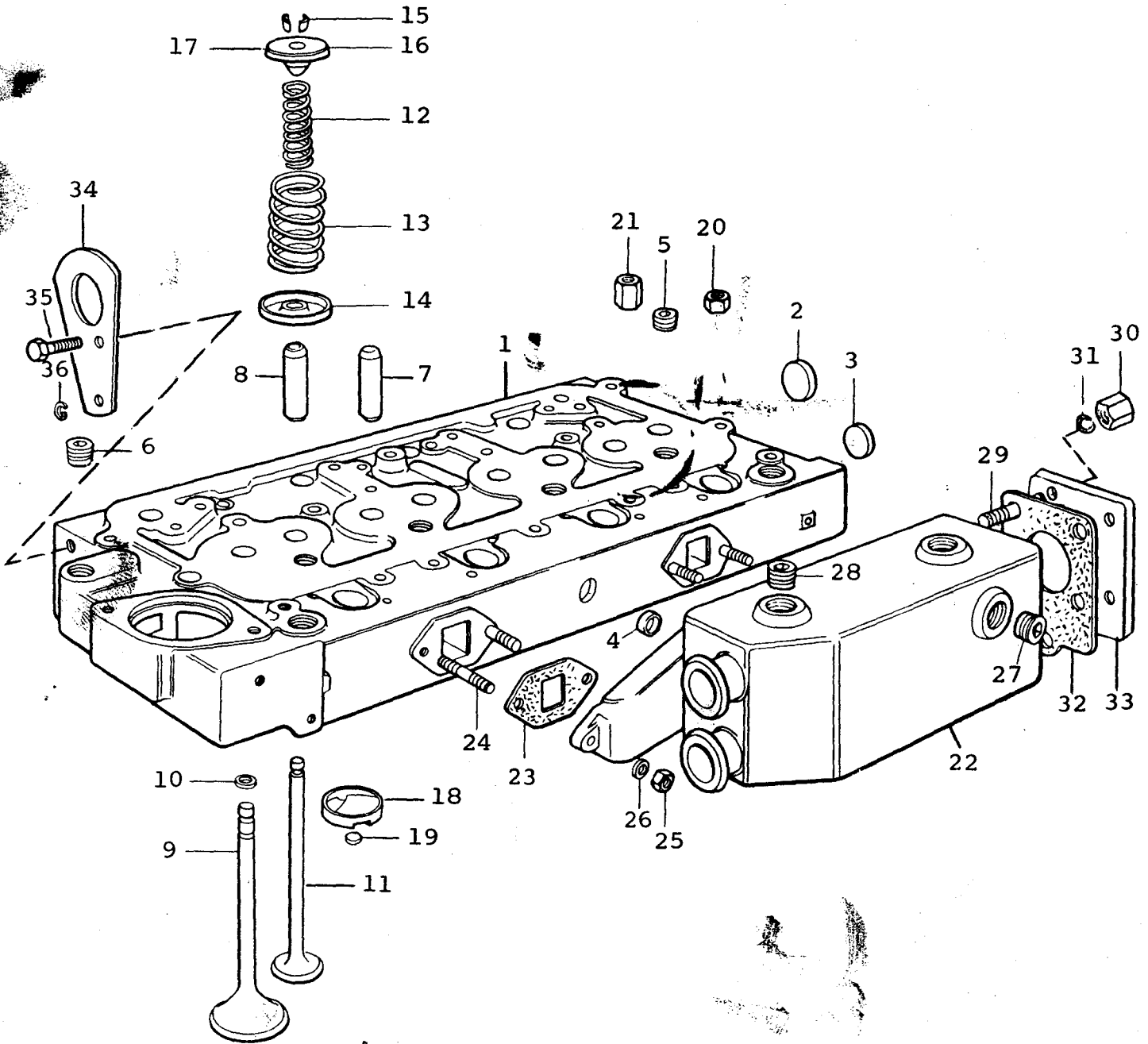


- CYLINDER BLOCK -

<u>NOTE</u>	<u>REF. NO.</u>	<u>PART NO.</u>	<u>DESCRIPTION</u>	<u>QTY.</u>
	35	38124242	BRACKET, engine front mounting - (port)	1
	36	38124243	BRACKET, engine front mounting - (starboard)	1
	37	0746254	BOLT, front mounting bracket to front mounting plate	6
	38	0576002	NUT, front mounting bracket retaining	6
	39	0920053	WASHER, spring	6
(A)	40	90990	REAR OIL SEAL HOUSING (ASSEMBLY) ... Includes:	1
	41	36883107	SEAL, cyl. block to housing	2
	42	0096238	SETSCREW, oil seal cover - top to bottom	2
	43	0920053	WASHER, spring	2
	44	36826114	GASKET, cyl. block to rear oil seal cover	1
	45	0746259	SETSCREW, oil seal cover to cylinder block bearing cap	6
	46	0920053	WASHER, spring	6

Note:
(A) Replaces Assembly #55281.

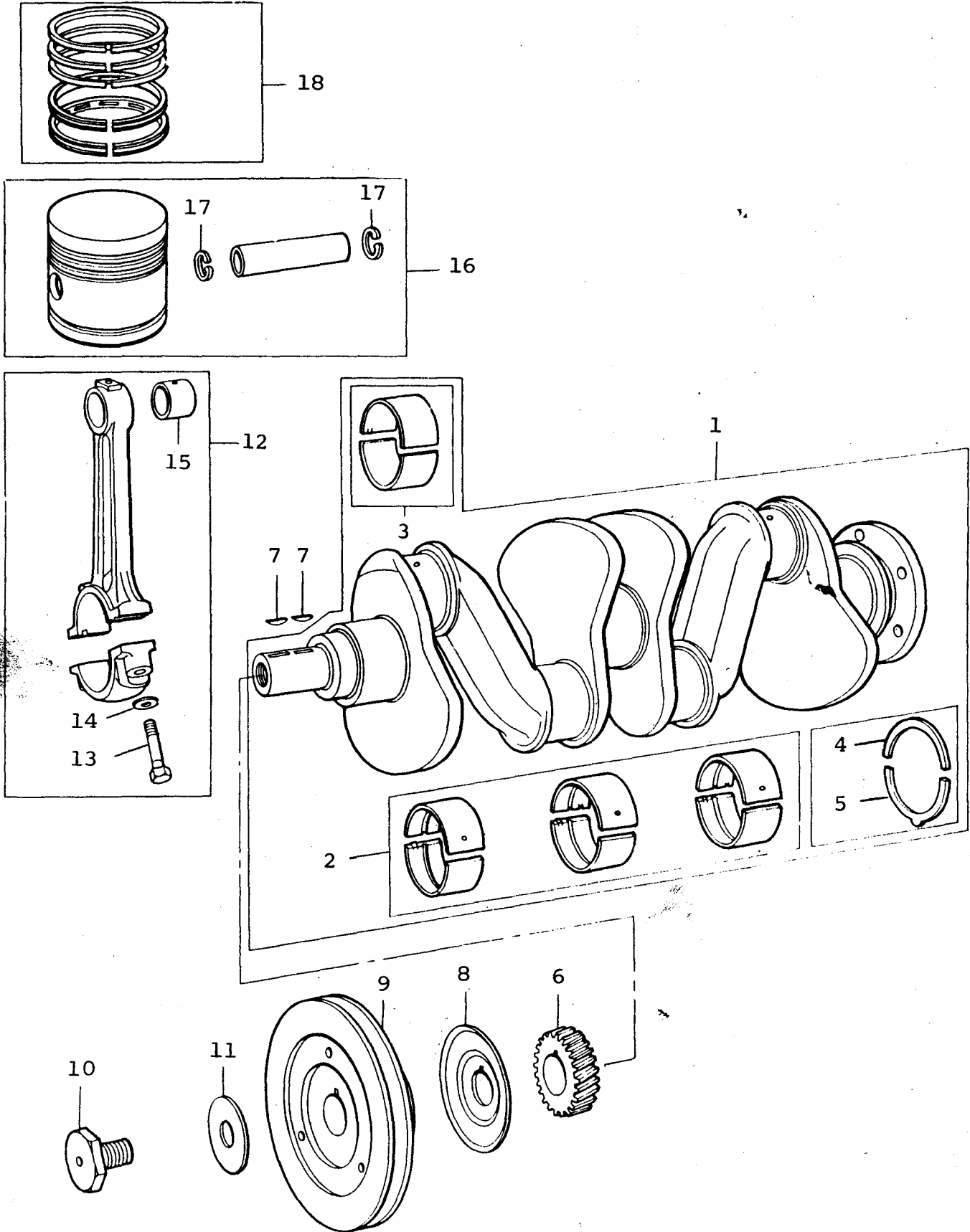
- CYLINDER HEAD -



- CYLINDER HEAD -

<u>NOTE</u>	<u>REF. NO.</u>	<u>PART NO.</u>	<u>DESCRIPTION</u>	<u>QTY.</u>
	1	89188	CYLINDER HEAD (ASSEMBLY)	1
			Includes:	
	2	0650710	PLUG, cyl. head - rear face	1
	3	0650713	PLUG, cyl. head - rear face	1
	4	0650692	PLUG, cyl. head - fuel pump side .	1
	5	2431103	PLUG, cylinder head	4
	6	0650540	PLUG, cylinder head	2
	-	0650203	PLUG, top face temp. sender	1
	-	2411157	WASHER, cylinder head plug	1
	7	33261741	GUIDE, inlet valve	4
	8	33261723	GUIDE, exhaust valve	4
	9	0910064	VALVE, inlet	4
	10	0640116	SEAL, inlet valve	4
	11	0910061	VALVE, exhaust	4
	12	31744129	SPRING, inner - exh. & inlet valve	8
	13	31745118	SPRING, outer - exh. & inlet valve	8
	14	0921117	SEAT, valve spring	8
	15	0230001	COTTER, valve spring retaining ..	8 Pr.
	16	0150143	CAP, valve spring inlet valve ...	4
	17	0150129	CAP, valve spring exhaust valve ..	4
	18	37443591	INSERT, combustion chamber	4
	19	0921249	WASHER, combustion chamber	4
	20	33221317	NUT, cylinder head retaining	13
	21	33531117	NUT, cylinder head retaining	5
	-	33115411	WASHER, retaining nut	18
	22	37785211	MANIFOLD, exhaust	1
	23	0490656	GASKET, manifold to cylinder head ..	2
	24	0826260	STUD, manifold to cylinder head	4
	25	0576064	NUT, exhaust manifold retaining	4
	26	0920003	WASHER, plain	4
	27	2431105	PLUG, exhaust manifold	1
	28	0650540	PLUG, exhaust manifold	2
	29	0826477	STUD, exh. manifold to outlet flange.	5
	30	0576065	NUT, outlet flange retaining	5
	31	0920004	WASHER, plain	5
	32	36855108	GASKET, exh. manifold to flange	1
	33	37586071	FLANGE, exhaust outlet	1
	34	36255538	PLATE, engine lifting - front	1
	35	0096431	SETSCREW, front lifting plate to cylinder head	2
	36	0920054	WASHER, spring	2

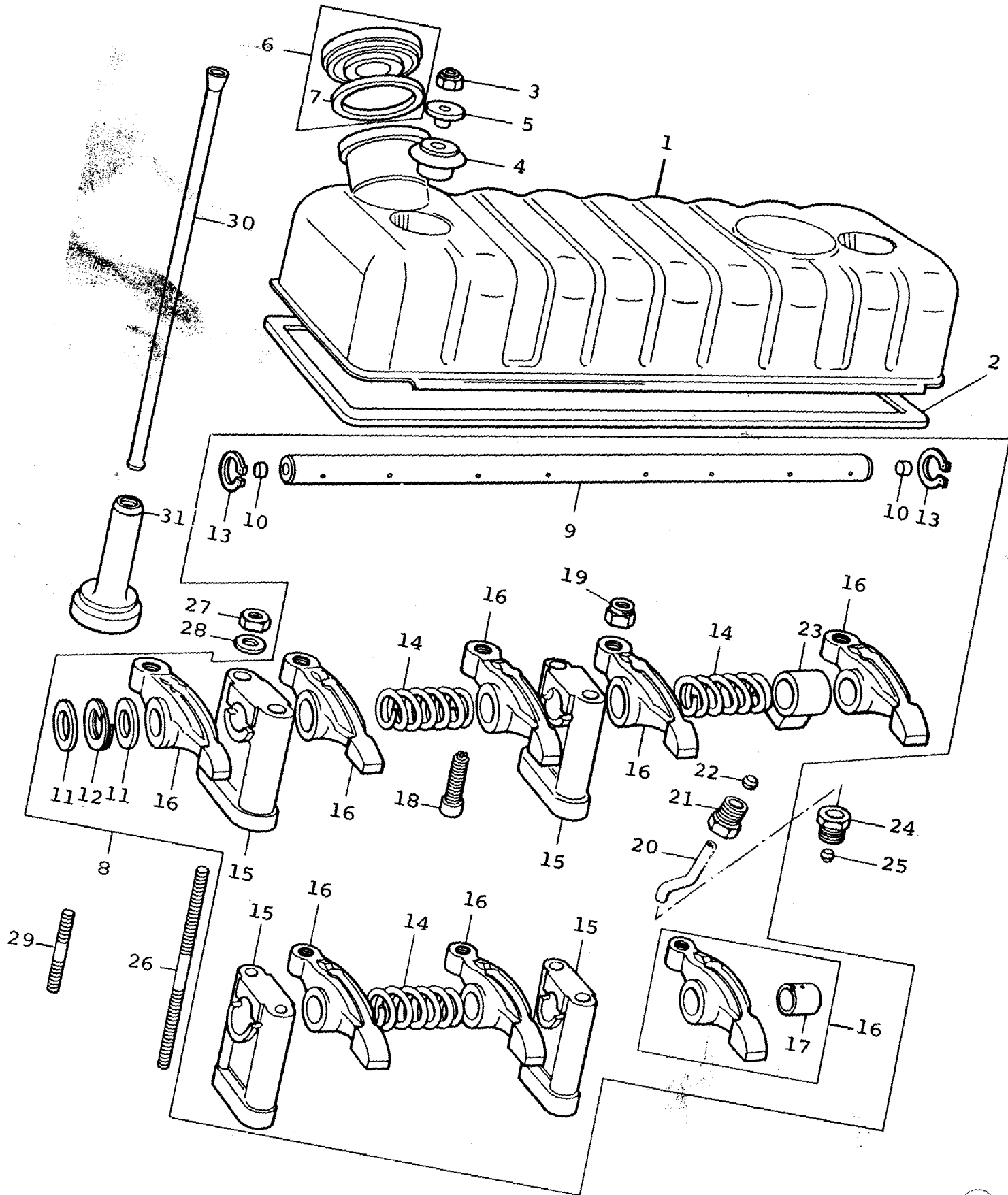
- CRANKSHAFT -



- CRANKSHAFT -

<u>NOTE</u>	<u>REF. NO.</u>	<u>PART NO.</u>	<u>DESCRIPTION</u>	<u>QTY.</u>
	1	84418	CRANKSHAFT KIT (ASSEMBLY)	1
			Includes:	
	2	84992	BEARING SET, main (std.)	1
	3	85037	BEARING SET, conn. rod (std.) ...	1
	4	0921120	THRUSTWASHER, top (std.)	2
	5	0921118	THRUSTWASHER, bottom (std.)	1
	2	84992-A	BEARING SET, crankshaft main (-.010")	X
	2	84992-B	BEARING SET, crankshaft main (-.020")	X
	2	84992-C	BEARING SET, crankshaft main (-.030")	X
	3	85037-A	BEARING SET, connecting rod (-.010").	X
	3	85037-B	BEARING SET, connecting rod (-.020").	X
	3	85037-C	BEARING SET, connecting rod (-.030").	X
	4	0921120-A	THRUSTWASHER, top (+.007")	X
	5	0921118-A	THRUSTWASHER, bottom (+.007")	X
	6	31171245	GEAR, crankshaft	1
	7	0500006	KEY, crankshaft gear and pulley	2
	8	33474003	FLANGE, crankshaft oil thrower	1
	9	31147637	PULLEY, crankshaft	1
	10	32162316	SCREW, pulley retaining	1
	11	33124119	WASHER, pulley retaining screw	1
	12	83417	CONNECTING ROD (ASSEMBLY)	1
			Includes:	
	13	0095314	SETSCREW, conn. rod cap	2
	14	33115121	WASHER, setscrew	2
	15	31134145	BUSHING, conn. rod - small end ..	1
	16	85017	PISTON, STD. (ASSEMBLY)	1
			Includes:	
	17	2721124	SNAP RING, pin retaining	2
	18	84953	RING PACK, STD.	1

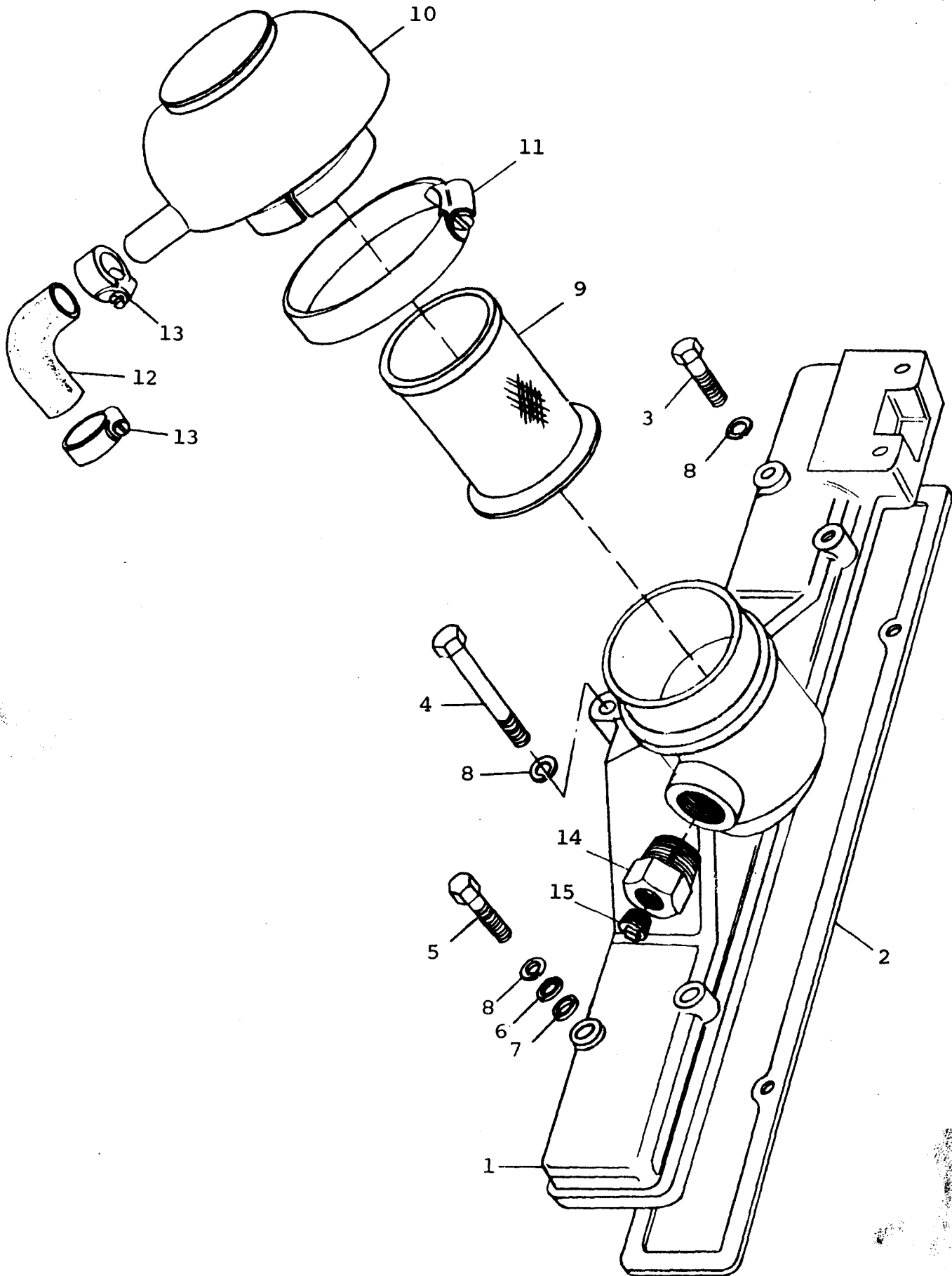
- CYLINDER HEAD COVER -



- CYLINDER HEAD COVER -

<u>NOTE</u>	<u>REF. NO.</u>	<u>PART NO.</u>	<u>DESCRIPTION</u>	<u>QTY.</u>
	1	37188171	COVER, cylinder head	1
	2	0490724	GASKET, cylinder head cover	1
	3	0576102	NUT, cover retaining	2
	4	0730116	SEAL, cylinder head cover	2
	5	0921116	WASHER, cover seal	2
	6	2487845	CAP, lube oil filler	1
			Includes:	
	7	24870001	GASKET, filler cap	1
	8	58529	ROCKER SHAFT (ASSEMBLY)	1
			Includes:	
	9	55286	SHAFT, rocker	1
			Includes:	
	10	0650507	PLUG, rocker shaft end	2
	11	0920485	WASHER, rocker shaft end	4
	12	0921122	WASHER, spring - r/shaft end	2
	13	0170033	SNAP RING, shaft retaining	2
	14	0780261	SPRING, rocker shaft	3
	15	0102202	BRACKET, rocker shaft	4
	16	54926	LEVER, rocker shaft	8
			Includes:	
	17	0050132	BUSHING, rocker lever	1
	18	0720790	SCREW, tappet adjusting	8
	19	0576151	LOCKNUT, t/adjusting screw	8
	20	34414122	PIPE, rocker shaft oil feed	1
	21	0571351	NUT, oil feed pipe	1
	22	0566002	FERRULE, oil feed pipe	1
	23	0201318	CONNECTION, oil feed pipe	1
	24	0571351	NUT, rocker shaft oil feed pipe	1
	25	0566002	FERRULE, oil feed pipe	1
	26	0825219	STUD, rocker shaft bracket to cylinder head	2
	27	0576302	NUT, bracket retaining	2
	28	0920003	WASHER, plain	2
	29	0826250	STUD, rocker shaft bracket to cylinder head	6
	27	0576302	NUT, bracket retaining	6
	28	0920003	WASHER, plain	6
	30	31434306	PUSH ROD	8
	31	31434152	TAPPET	8

- AIR INDUCTION SYSTEM -



- AIR INDUCTION SYSTEM -

<u>NOTE</u>	<u>REF. NO.</u>	<u>PART NO.</u>	<u>DESCRIPTION</u>	<u>QTY.</u>
(A)	1	37786662	MANIFOLD, induction	1
(B)	1	37786664	MANIFOLD, induction	1
(A)	2	0490652	GASKET, induction manifold to head ..	1
(B)	2	36846415	GASKET, induction manifold to head ..	1
(B)	3	0096231	SETSCREW, manifold to cyl. head	2
	3	0096233	SETSCREW, manifold to cyl. head	2
	4	0096240	SETSCREW, manifold to cyl. head	1
	5	0096236	SETSCREW, manifold to cyl. head	2
	6	0920497	WASHER, plain - fitted between alt. brkt. and ind. manifold	2
	7	0920484	WASHER, plain	2
	8	0920053	WASHER, spring	7
	9	0997018	AIR FILTER	1
	10	0240568	COVER, air filter	1
	11	0180070	CLIP, cover to induction manifold ..	1
	12	34821428	CONNECTION, air filter	1
	13	0180063	CLIP, air filter connection	2
	14	33536445	ADAPTOR, ether starting	1
	15	0650594	PLUG, ether starting adaptor	1

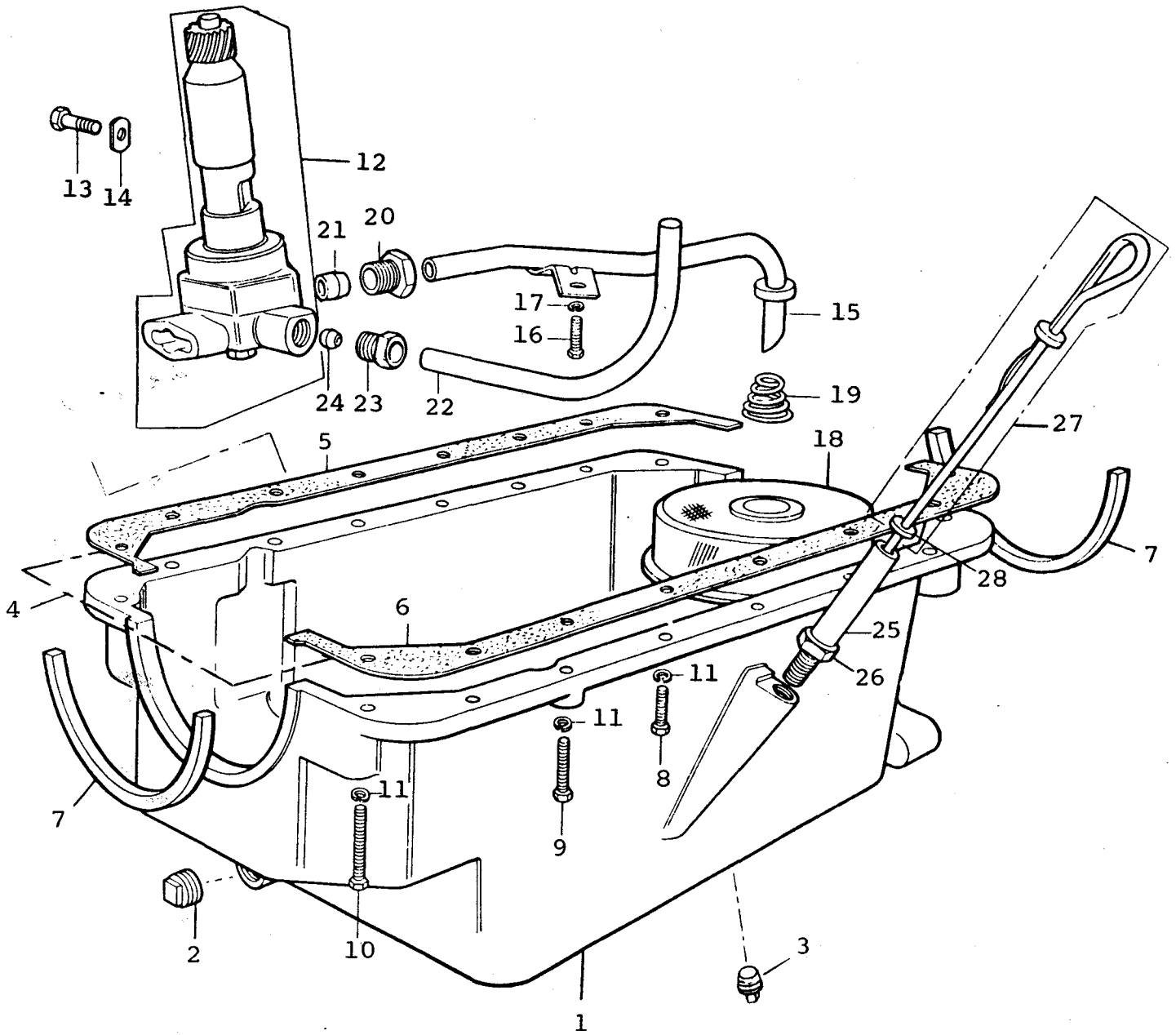
Notes:

- (A) Up to Engine No. 108U44413.
- (B) From Engine No. 108U44413 onwards.

- TIMING GEAR -

<u>NOTE</u>	<u>REF. NO.</u>	<u>PART NO.</u>	<u>DESCRIPTION</u>	<u>QTY.</u>
	1	31415303	CAMSHAFT	1
	2	31171541	GEAR, camshaft	1
	3	0746255	SETSCREW, gear to camshaft	3
	4	0920053	WASHER, spring	3
	5	36178509	PLATE, camshaft thrust	2
	6	0610844	PIN, thrust plate locating	1
	7	41115036	GEAR, idler	1
			Includes:	
	8	31134137	BUSHING, idler gear	1
	9	33426516	HUB, idler gear	1
	10	0941044	PLATE, idler gear retaining	1
	11	0746461	SETSCREW, idler gear hub to block ..	2
	12	0921159	TABWASHER, idler gear retaining	1
	13	37161105	HOUSING, timing gear	1
	14	0730098	SEAL, oil - housing	1
	15	36813145	GASKET, housing to front mtg. plate .	1
	16	0826248	STUD, housing & mtg. plate to front bearing cap	1
	17	32726511	PIN, engine timing	1
	18	36151505	WASHER, elongated - timing pin	1
	19	0920053	WASHER, spring	1
	20	0746255	SETSCREW, housing & mtg. plate to block & front brg. cap ...	8
	21	36151505	WASHER, elongated	6
	-	0920003	WASHER, plain	1
	22	0920053	WASHER, spring	8
	23	0826201	STUD, housing & mtg. plate to block .	1
	24	0576002	NUT, housing retaining	1
	25	36151505	WASHER, elongated	1
	26	0920053	WASHER, spring	1
	27	0746052	BOLT, housing to mounting plate	4
	28	0576001	NUT, housing retaining	4
	29	36151506	WASHER, elongated	3
	30	0920052	WASHER, spring	4

- LUBE OIL SYSTEM -



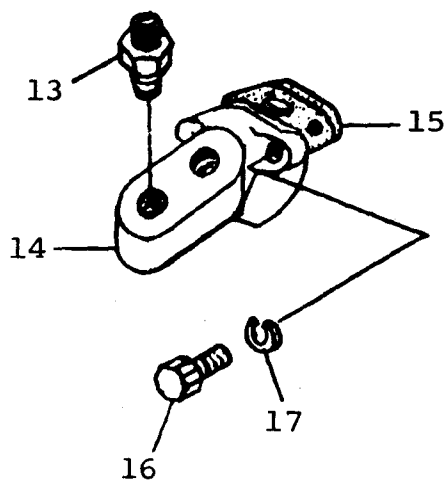
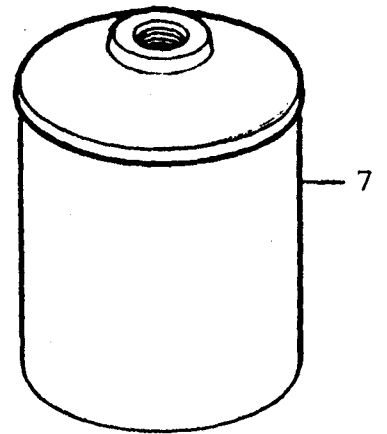
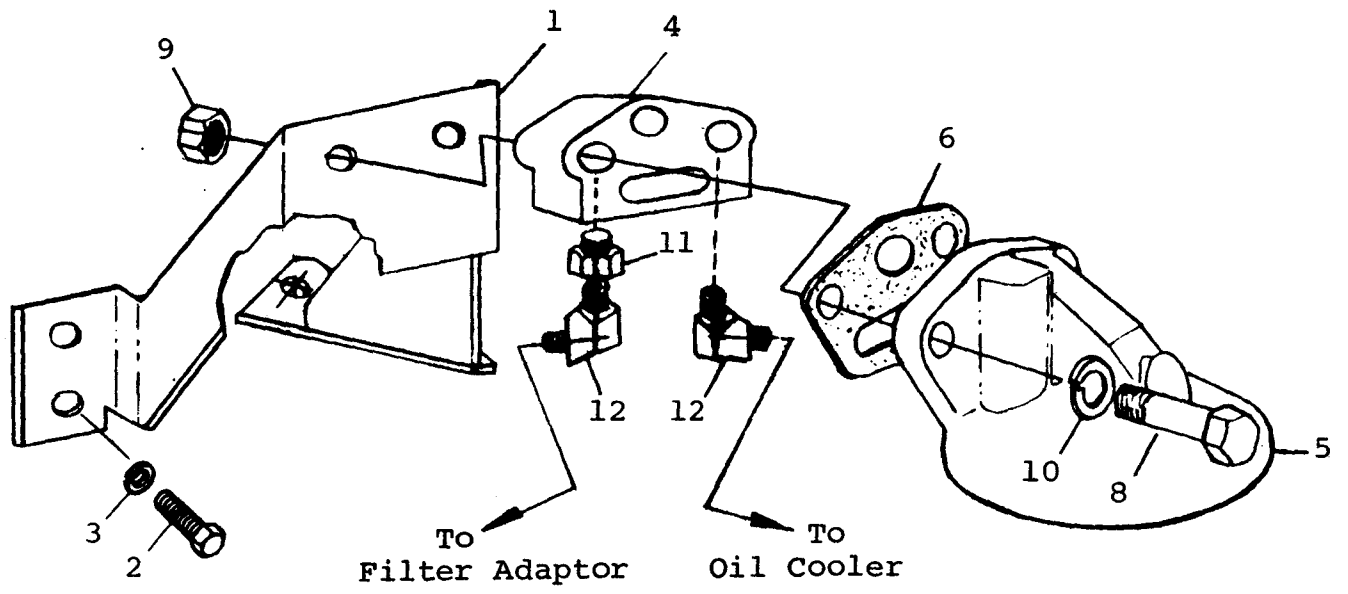
- LUBE OIL SYSTEM -

NOTE	REF. NO.	PART NO.	DESCRIPTION	QTY.
	1	37173591	PAN, lube oil	1
	2	0650593	PLUG, oil pan drain	1
	3	0650722	PLUG, lube oil pan	1
	4	0999659	GASKET, lube oil pan (Assembly)	1
			Includes:	
(A)	5	36815319	GASKET, lube oil pan - R.H. side .	1
(A)	6	36815321	GASKET, lube oil pan - L.H. side .	1
	7	0490775	GASKET, oil pan - front & rear	2
	8	0746255	SETSCREW, oil pan to cylinder block .	11
	9	0096236	SETSCREW, oil pan to cylinder block .	4
	10	0746260	SETSCREW, oil pan to cylinder block .	1
	11	0920053	WASHER, spring	16
	12	41314089	LUBE OIL PUMP (ASSEMBLY)	1
			Includes:	
	-	32712715	PLUNGER, lube oil pump	1
	-	31742128	SPRING, oil pump plunger	1
	-	0150144	CAP, plunger	1
	-	0610011	SPLITPIN, plunger retaining	1
	13	0746201	SETSCREW, pump body locating	1
	14	36151507	TABWASHER, setscrew locating	1
	15	35737198	PIPE, lube oil suction (Assembly) ..	1
	16	0746253	SETSCREW, pipe clip to bearing cap ..	1
	17	0920053	WASHER, spring	1
	18	37725448	STRAINER, lube oil pan	1
	19	0780310	SPRING, strainer positioning	1
	20	33532121	NUT, lube oil suction pipe	1
	21	0560244	FERRULE, suction pipe	1
	22	0623293	PIPE, lube oil pump to cyl. block ...	1
	23	0571352	NUT, lube oil delivery pipe	2
	24	0566007	FERRULE, delivery pipe	2
	25	35772415	TUBE, lube oil dipstick (Assembly) ..	1
			Includes:	
	26	33533103	NUT, dipstick tube	1
	-	0180028	CLIP, dipstick tube	1
	27	31788387	DIPSTICK, lube oil (Assembly)	1
			Includes:	
	28	33812108	WASHER, sealing	1

Note:

(A) Order Assembly.

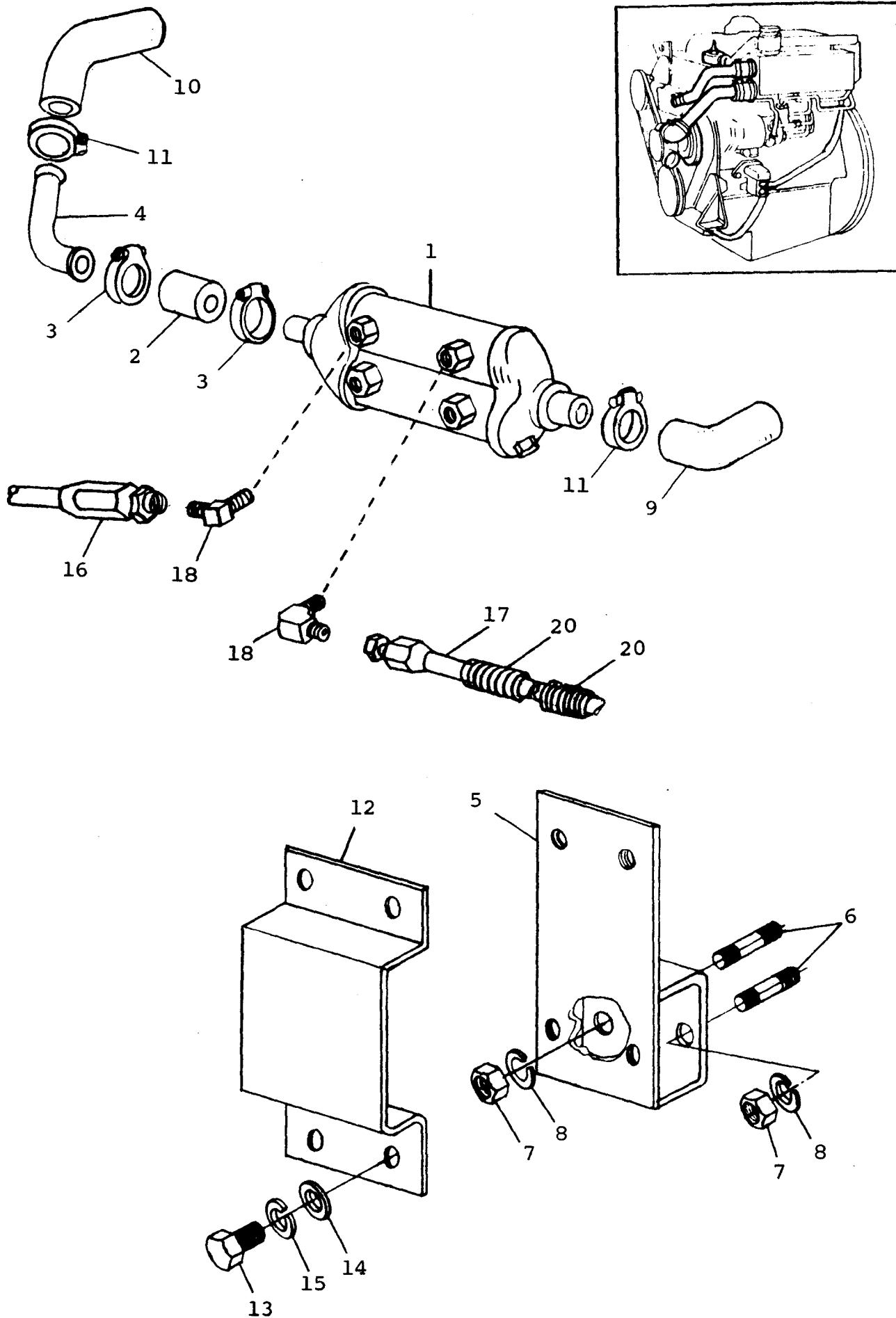
- LUBE OIL FILTER -



- LUBE OIL FILTER -

<u>NOTE</u>	<u>REF. NO.</u>	<u>PART NO.</u>	<u>DESCRIPTION</u>	<u>QTY.</u>
	1	NA003485	BRACKET, lube oil filter	1
	2	0746452	SETSCREW, bracket to cylinder head ..	4
	3	0920054	WASHER, spring	4
	4	37586241	ADAPTOR, lube oil filter	1
	5	37764181	HEAD, lube oil filter	1
	6	36862517	GASKET, lube oil filter head to adaptor	1
	7	2654403	FILTER, lube oil (element)	1
	8	2184463	SETSCREW, filter & adaptor to bracket	2
	9	0576054	NUT, filter & adaptor retaining	2
	10	0920055	WASHER, spring	2
	-	0920006	WASHER, plain	2
	11	NA001082	REDUCER, lube oil filter - inlet ...	1
	12	NA001083	CONNECTION, 45° lube oil adaptor - in and out	2
	13	NA000040	CONNECTION, straight - cyl. block lube oil adaptor	2
	14	36271408	ADAPTOR, cyl. block lube oil	1
	-	0650594	PLUG, lube oil adaptor	1
	-	32114461	PLUG, lube oil adaptor	2
	15	36862517	GASKET, lube oil adaptor to block ..	1
	16	0096634	SETSCREW, adaptor to cylinder block .	2
	17	0920055	WASHER, spring	2

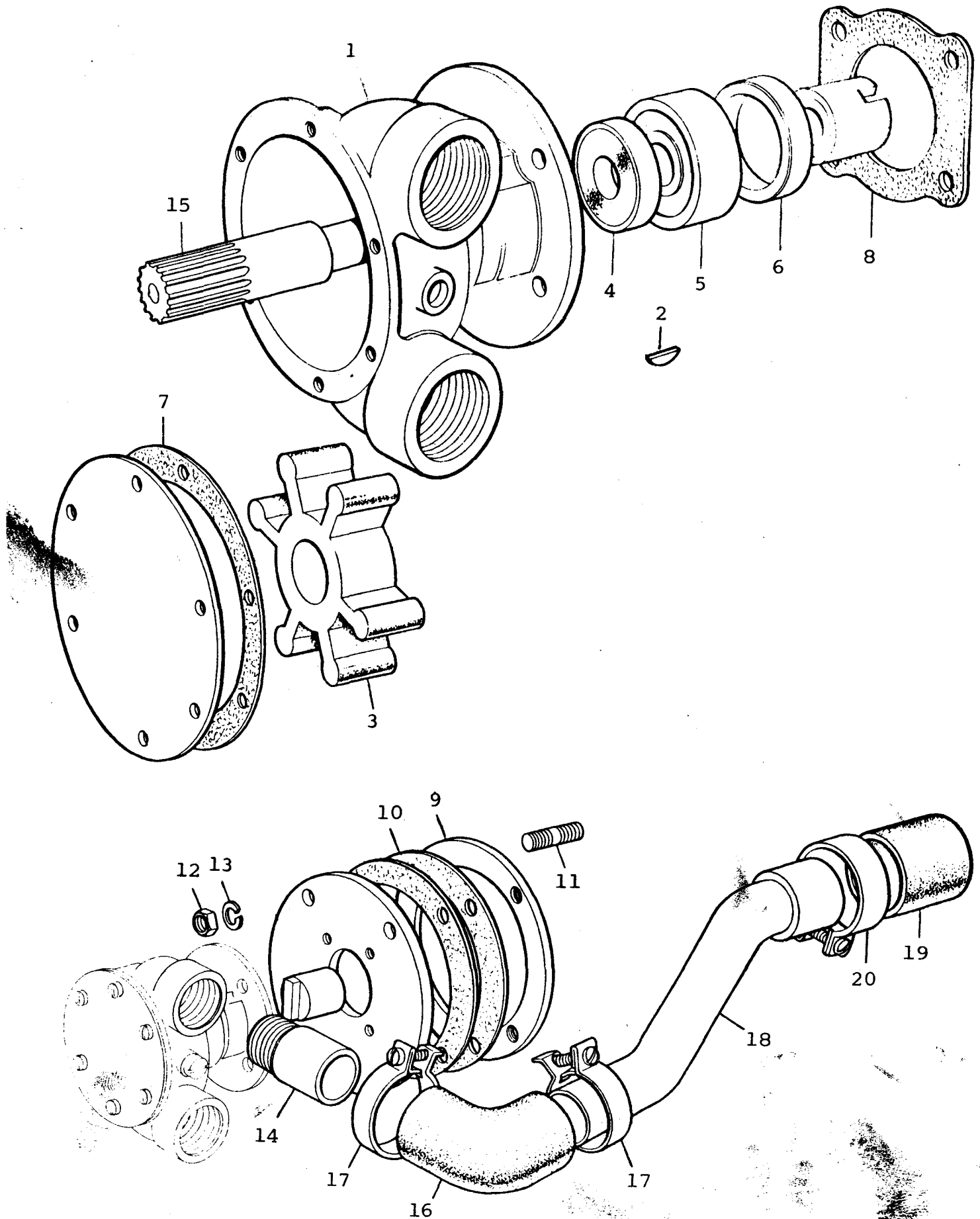
- OIL COOLER -



- OIL COOLER -

<u>NOTE</u>	<u>REF. NO.</u>	<u>PART NO.</u>	<u>DESCRIPTION</u>	<u>QTY.</u>
	1	NA000282	OIL COOLER (ASSEMBLY)	1
	2	0200008	HOSE, oil cooler to h/exchanger pipe.	1
	3	0180066	CLIP, hose clamping	2
	4	NA001088	PIPE, oil cooler to heat exchanger ..	1
	5	NA001090	BRACKET, oil cooler mounting	1
	6	0826614	STUD, cyl. block to oil cooler brkt..	2
	7	0576054	NUT, oil cooler bracket retaining ..	2
	8	0920055	WASHER, spring	2
	9	NA001087	ELBOW, cyl. block water inlet to oil cooler	1
	10	34821112	ELBOW, heat exchanger to oil cooler .	1
	11	0180066	CLIP, hose clamping	4
	12	NA001091	STRAP, oil cooler retaining	1
	13	0748411	SETSCREW, strap to mtg. bracket	4
	14	0920003	WASHER, plain	4
	15	0920053	WASHER, spring	4
	16	NA001085	HOSE, adaptor to oil cooler - flex ..	1
	17	NA001086	HOSE, flex - filter adaptor to oil cooler	1
	18	NA000043	CONNECTION, 90° oil cooler in & out .	2
	16	NA001085	HOSE, lube oil filter adaptor to cyl. block adaptor	1
	20	NA001489	GUARD, flex hose	5

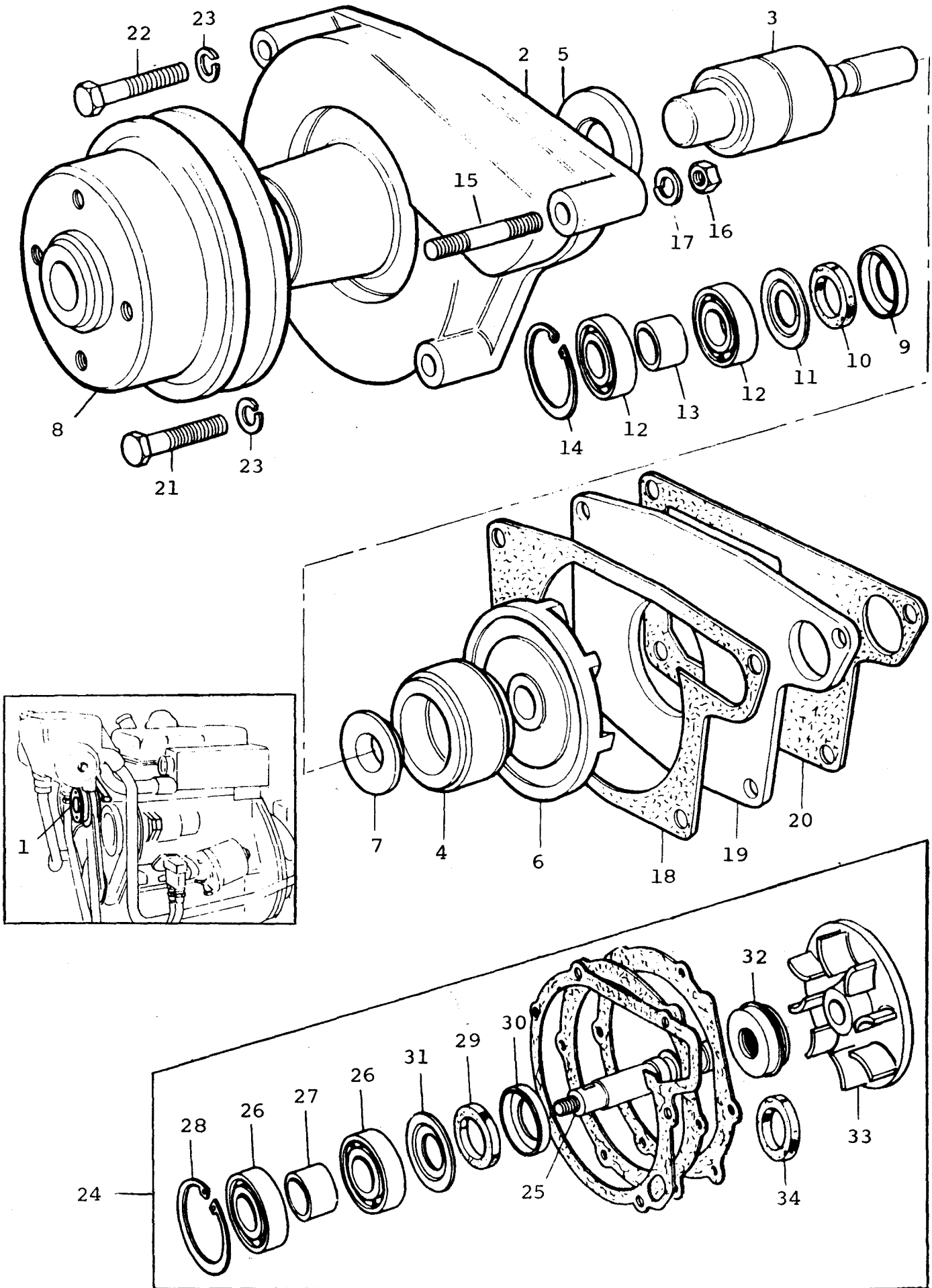
- SEA WATER PUMP -



- SEA WATER PUMP -

<u>NOTE</u>	<u>REF. NO.</u>	<u>PART NO.</u>	<u>DESCRIPTION</u>	<u>QTY.</u>
	1	NA003335	SEA WATER PUMP (ASSEMBLY)	1
			Includes:	
	2	NA900009	KEY, sea water pump	1
	3	NA900010	IMPELLER, sea water pump	1
	4	NA900011	OIL SEAL, sea water pump	1
	5	NA900015	BALL BEARING, sea water pump	1
	6	NA900016	LIP SEAL, sea water pump	1
	7	NA900017	GASKET, sea water pump	1
	8	33825411	GASKET, sea water pump to timing gear housing	1
	9	33154118	RING, mounting plate retaining	1
	10	33825411	GASKET, water pump adaptor and retaining ring	2
	11	0826268	STUD, retaining plate to pump adaptor	4
	12	0576002	NUT, water pump adaptor retaining ..	4
	13	0920053	WASHER, spring	4
	14	33286109	CONNECTION, sea water pump inlet and outlet	2
	15	32461313	SHAFT, sea water pump drive - fuel pump drive gear	1
	16	NA001370	HOSE, elbow - sea water pump to heat exchanger pipe	1
	17	0180065	CLAMP, hose	2
	18	NA001073	PIPE, sea water pump to h/exchanger .	1
	19	0200092	HOSE, heat exchanger to sea water pump pipe	1
	20	0180065	CLAMP, hose	2

- FRESH WATER PUMP -



- FRESH WATER PUMP -

<u>NOTE</u>	<u>REF. NO.</u>	<u>PART NO.</u>	<u>DESCRIPTION</u>	<u>QTY.</u>
	1	41312449	WATER PUMP (ASSEMBLY)	1
			Includes:	
	2	37711751	BODY, water pump	1
	3	32717316	SHAFT, water pump	1
	4	2415217	SEAL, water pump	1
	5	2417204	SEAL, ceramic counterface	1
	6	37447271	IMPELLER, water pump	1
	7	33415127	THROWER, water pump	1
	8	31145821	PULLEY, water pump	1
	9	33157108	RETAINER, front seal	1
	10	33813313	SEAL, front	1
	11	33415117	FLANGE, seal retainer	1
	12	0040058	BEARING, front and rear	2
	13	33142115	DISTANCE-PIECE, bearing	1
	14	0170046	SNAP RING, bearing retaining	1
	14	0170051	SNAP RING, pulley retaining	1
	15	0826209	STUD, cyl. block to water pump body .	1
	16	0576002	NUT, water pump body retaining	1
	17	0920053	WASHER, spring	1
	18	36866713	GASKET, water pump backplate to cylinder block	1
	19	36243515	BACKPLATE, water pump	1
	20	36866421	GASKET, water pump to backplate	1
	21	0096236	SETSCREW, water pump and backplate to cylinder block	2
	22	0096234	SETSCREW, water pump and backplate to cylinder block	1
	23	0920053	WASHER, spring	3
	24	89029	REPAIR KIT, WATER PUMP (ASSEMBLY) ..	X
			Includes:	
	25	32717316	SHAFT, water pump	1
	26	0040058	BEARING, front and rear	2
	27	33142115	DISTANCE-PIECE, bearing	1
	28	0170046	SNAP RING, bearing retaining	1
	29	33813313	SEAL, front	1
	30	33157108	RETAINER, front seal	1
	31	33415117	FLANGE, seal retaining	1
	31	33415127	FLANGE, water pump	1
	32	2415217	SEAL, water pump	1
	33	37447271	IMPELLER, water pump	1
	34	2417204	SEAL, ceramic counterface	1

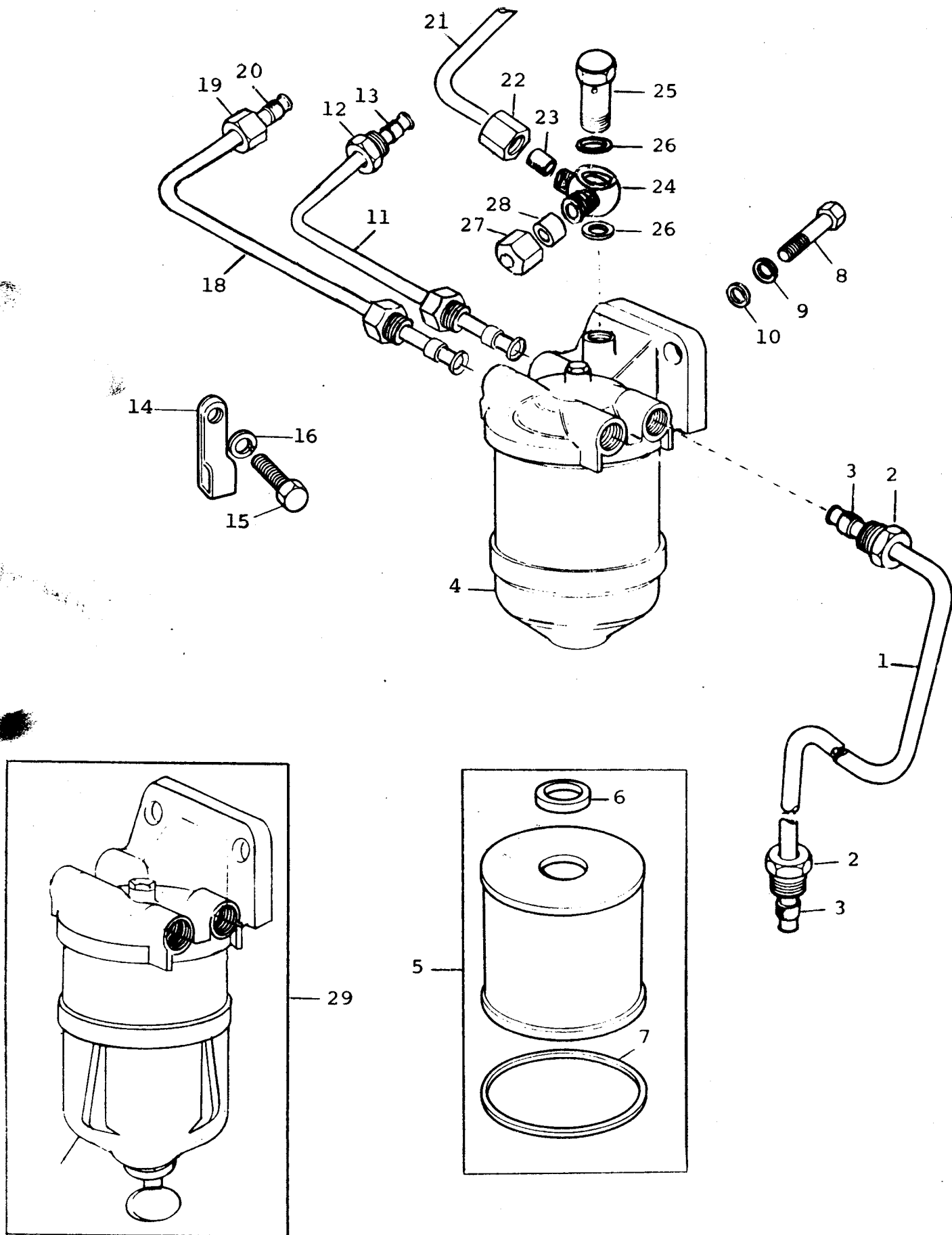
- FUEL OIL LIFT PUMP -

NOTE	REF. NO.	PART NO.	DESCRIPTION	QTY.
	1	2641702	FUEL OIL LIFT PUMP (ASSEMBLY)	1
			Includes:	
	2	26410095	ROCKER ARM (Assembly)	1
	3	26410121	BODY, lift pump	1
	4	26410058	COVER & VALVE (Assembly)	1
			Includes:	
	5	0490627	GASKET, valve seating	2
	6	32517	VALVE, inlet & outlet	2
	7	26410097	DIAPHRAGM & PULL ROD	1
	8	0720709	SCREW, cover	5
	9	0921018	WASHER, cover screw	5
	10	0780240	SPRING, diaphragm return	1
	11	0997128	RETAINER, rocker arm pin	2
	12	0610847	PIN, rocker arm	1
	13	0520420	LINK	1
(A)	14	36851113	GASKET, lift pump to tappet inspection cover	1
	15	33221115	NUT, lift pump retaining	4
	16	33114412	WASHER, retaining nut	4
	17	0700279	PUSH ROD, lift pump	1
	18	33533112	NUT, lift pump - inlet	1
	19	0566003	FERRULE, lift pump	1
	20	2658201	VALVE, non-return - lift pump	1
	21	2411141	WASHER, non-return valve	1
	22	26410096	REPAIR KIT, LIFT PUMP (ASSEMBLY) ...	X
			Includes:	
		0490627	GASKET	2
		26410097	DIAPHRAGM	1
		0490695	GASKET	1
		0921235	WASHER	1
		32517	VALVE	2
		0490559	GASKET	1
		26410021	SEAL	1
		26410016	RETAINER	1
		26410008	SCREEN	1
		0520420	LINK	1
		0610809	PIN	1
		0180902	RETAINER	2
		0921058	WASHER	2
		0780241	SPRING	1
		0610847	PIN	1
		26410006	RETAINER	2

Note:

(A) Gasket #36851113 must be ordered separately.

- FUEL OIL FILTER -



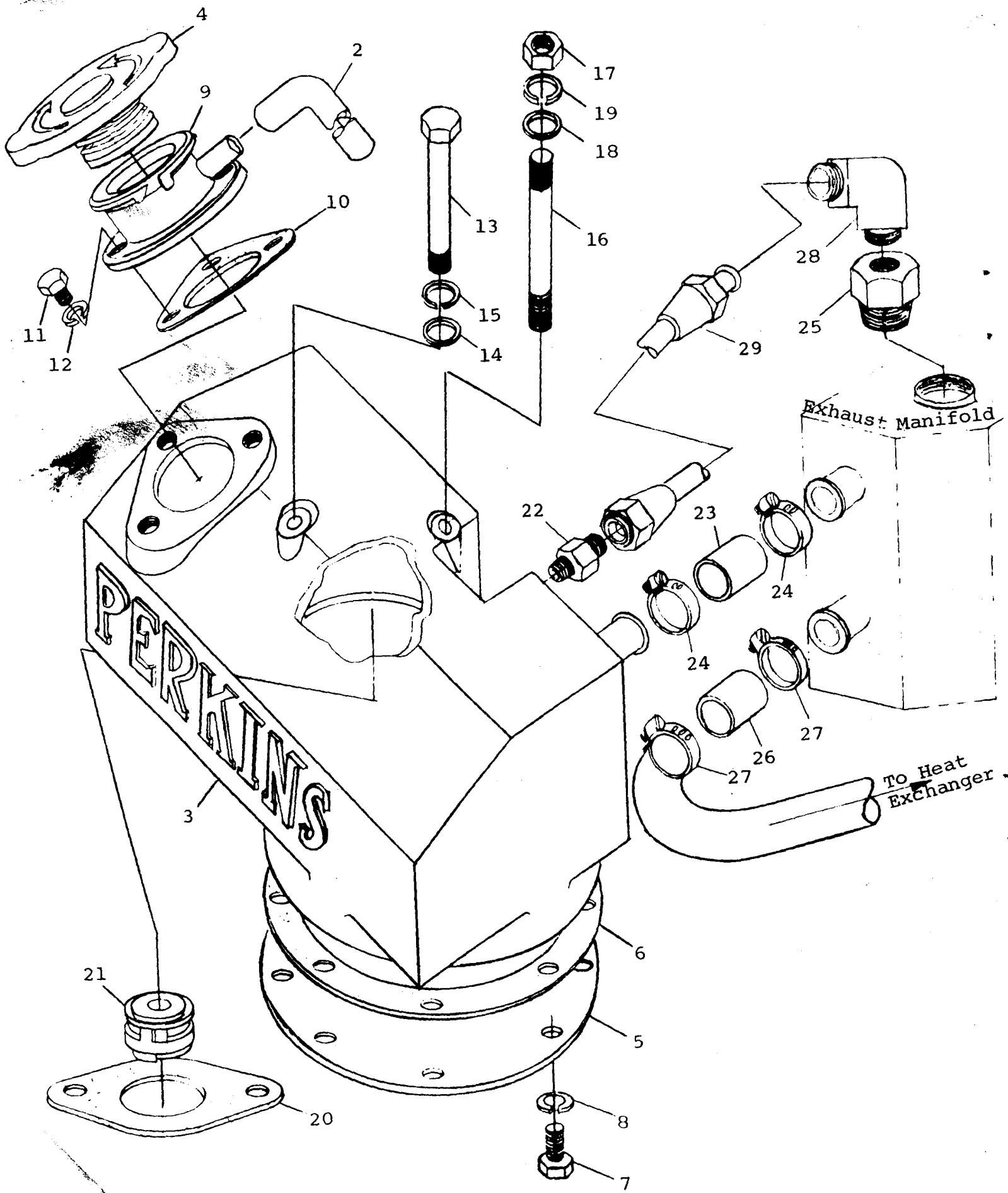
- FUEL OIL FILTER -

<u>NOTE</u>	<u>REF. NO.</u>	<u>PART NO.</u>	<u>DESCRIPTION</u>	<u>QTY.</u>
	1	35844057	PIPE, LIFT PUMP TO FUEL OIL FILTER .. Includes:	1
	2	33532128	NUT, fuel oil pipe	2
	3	33811113	FERRULE, fuel oil pipe	2
	4	2656613	FUEL OIL FILTER (ASSEMBLY)	1
			Includes:	
	5	26560017	ELEMENT KIT, fuel oil filter	1
			Includes:	
	6	26560014	SEAL, element seating	1
	7	0490786	SEAL, element sealing	1
	8	0746454	SETSCREW, fuel oil filter to induction manifold	2
	9	0920054	WASHER, spring	2
	10	0920004	WASHER, plain	2
	-	0650204	PLUG, fuel oil filter	1
	-	0920112	WASHER, filter plug	1
	11	35847108	PIPE, FUEL FILTER TO FUEL INJ. PUMP . Includes:	1
	12	33532128	NUT, fuel oil pipe	2
	13	33811113	FERRULE, fuel oil pipe	2
	14	36651119	CLIP, fuel injection pump pipe - also clips return pipe	1
	15	0746451	SETSCREW, clip to cylinder block ...	1
	16	0920054	WASHER, spring	1
	18	35847308	PIPE, FUEL INJECTION PUMP TO FILTER . Includes:	1
	19	33532128	NUT, fuel oil pipe	2
	20	33811113	FERRULE, fuel oil pipe	2
	21	34417414	PIPE, FUEL OIL LEAK-OFF TO PRESSURE RELIEF VALVE	1
			Includes:	
	22	33225412	NUT, fuel oil pipe	2
	23	33811112	FERRULE, fuel oil pipe	2
	24	0201397	CONNECTION, filter overflow banjo ...	1
	25	0095344	BOLT, banjo connection	1
	26	0920146	WASHER, banjo bolt	2
	27	0576112	NUT, overflow banjo connection	1
	28	0566003	FERRULE, overflow banjo connection ..	1
	29	2656084	PRE-FILTER, fuel oil	1
	-	33533112	NUT, pre-filter - inlet port	1
	-	0200758	CONNECTION, pre-filter	1
	-	0571138	NUT, pre-filter	2
	-	0566003	FERRULE, pre-filter	1

- FUEL INJECTION SYSTEM -

<u>NOTE</u>	<u>REF. NO.</u>	<u>PART NO.</u>	<u>DESCRIPTION</u>	<u>QTY.</u>
	1	37306	FUEL INJECTION PUMP (ASSEMBLY) - c/w throttle & stop control levers ..	1
	2	2644951	SLEEVE, throttle lever adj. screw ..	1
	3	31718104	SEAL, adjusting screw sleeve	1
	4	31718105	WIRE, adjusting screw sleeve seal ..	1
	5	0490685	GASKET, injection pump to cyl. block.	1
	6	0826244	STUD, injection pump to cyl. block ..	2
	7	0576002	NUT, injection pump retaining	2
	8	0920003	WASHER, plain	2
	9	0920053	WASHER, spring	2
	10	2172692	CAPSCREW, injection pump to block ..	1
	11	0920003	WASHER, plain	1
	12	0920053	WASHER, spring	1
	13	31171542	GEAR, pump drive	1
	14	33472496	HUB, drive gear	1
	15	0050323	BEARING, drive gear hub	1
	16	2724436	SNAP RING, hub retaining	1
	17	0746355	SETSCREW, drive gear to hub	3
	18	0920003	WASHER, plain	3
	19	0920053	WASHER, spring	3
	20	38152107	BRACKET, control return spring anchor	1
	21	31753114	SPRING, stop & throttle control return	2
	22	0996525	FORK END, stop control lever	1
	23	0610837	CLEVIS PIN, fork end	1
	24	0610042	SPLIT PIN, clevis pin retaining	1
	25	35355268	PIPE, FUEL INJECTION - NO. 1 CYLINDER	1
	26	35354265	PIPE, FUEL INJECTION - NO. 2 CYLINDER	1
	27	35354263	PIPE, FUEL INJECTION - NO. 3 CYLINDER	1
	28	35354264	PIPE, FUEL INJECTION - NO. 4 CYLINDER	1
	29	0180637	CLIP, fuel injection pipes	4
	30	0726264	BOLT, inj. pipe clip clamping	2
	31	0571350	NUT, clip clamping	2
	32	2645559	INJECTOR, FUEL OIL (ASSEMBLY)	4
			Includes:	
	33	33435	NOZZLE, injector	1
	34	0920113	WASHER, injector seating	4
	35	0826274	STUD, cyl. head to injector - long ..	4
	36	0576002	NUT, injector retaining	4
	37	0826232	STUD, cyl. head to injector	4
	36	0576002	NUT, injector retaining	4
	38	35587355	PIPE, injector main leak-off	1
	39	0095315	BOLT, banjo - leak-off pipe	4
	40	0921176	WASHER, banjo bolt	8

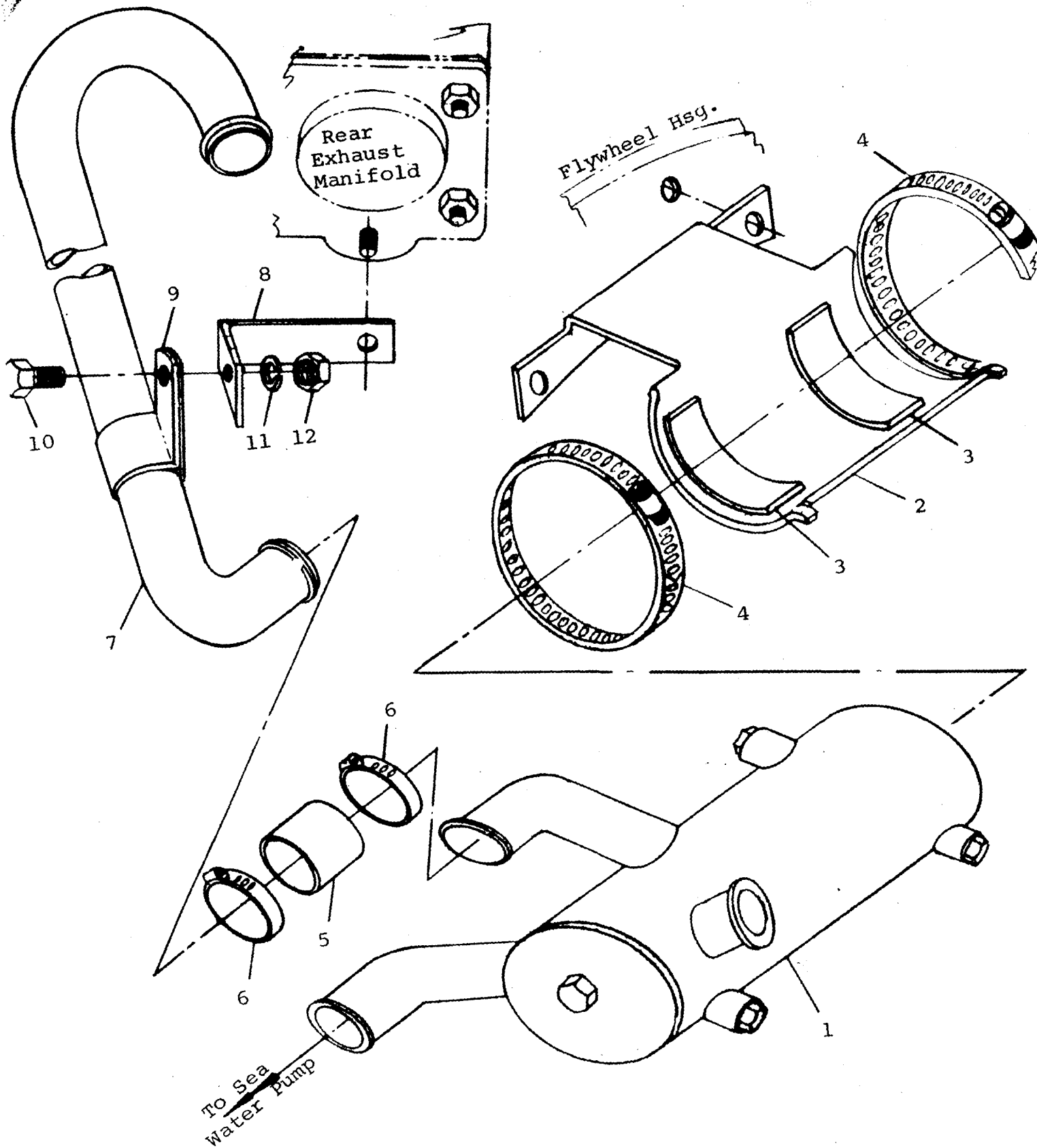
- HEADER TANK -



- HEADER TANK -

<u>NOTE</u>	<u>REF. NO.</u>	<u>PART NO.</u>	<u>DESCRIPTION</u>	<u>QTY.</u>
	1	NA001074	HEADER TANK (ASSEMBLY)	1
			Includes:	
	2	NA001548	TUBE, flexible	1
	3	NA000541	TANK, expansion	1
	4	2487895	CAP, header tank fill	1
	5	NA001330	PLATE, cover - bottom	1
	6	NA000542	GASKET, bottom cover plate	1
	7	0748353	SETSCREW, plate to header tank ..	8
	8	0920052	WASHER, spring	8
	9	2487947	FLANGE, header tank filler	1
	10	36861446	GASKET, flange to header tank ...	1
	11	0748411	SETSCREW, flange to header tank .	3
	12	0920053	WASHER, spring	3
	13	0096445	BOLT, header tank to cylinder head .	1
	14	0920004	WASHER, plain	1
	15	0920054	WASHER, spring	1
	16	0826512	STUD, cyl. head to header tank	1
	17	0576051	NUT, header tank retaining	1
	18	0920004	WASHER, plain	1
	19	0920054	WASHER, spring	1
	20	36834118	GASKET, cylinder head to header tank.	1
	21	2485688	THERMOSTAT	1
	22	NA000257	REDUCER, exhaust manifold to header tank air bleed	1
	23	0200044	HOSE, header tank to exh. manifold ..	1
	24	0180066	CLIP, hose clamping	2
	25	NA000036	CONNECTION, male - header tank pipe .	1
	26	0200044	HOSE, exhaust manifold to heat exchanger pipe	1
	27	0180066	CLIP, hose clamping	2
	28	NA000041	ELBOW CONNECTION, header tank bleed pipe	1
	29	NA000258	PIPE, header tank to exhaust manifold	1

- HEAT EXCHANGER -



TITAT IS

ALL

I HAVE